

# NRSM Series

## Wire Wound SMD Power Inductor

### Size 252012



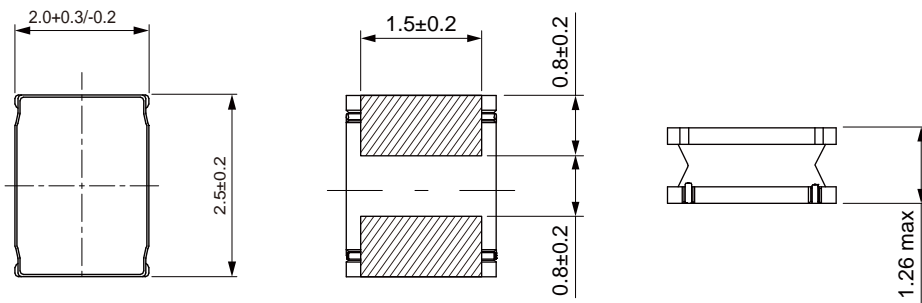
#### FEATURES

- Magnetic resin for higher current and semi-magnetically shielded
- Operating temperature: -40 to +125 °C (including self-temperature rise)
- Quantity: 2000pcs

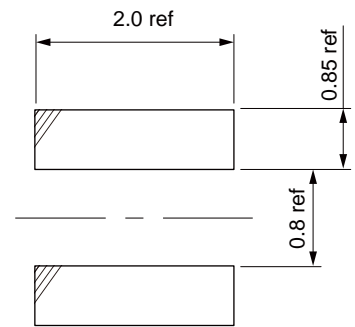
#### APPLICATION

- DC/DC converter
- LC filter

#### Dimensions: [mm]



#### Land Pattern: [mm]



#### Electrical Properties:

Part No	Tolerance	Temperature Rise Current Typ. (A)	Saturation Current Typ. (A)	DC Resistance Typ. ( $\Omega$ )	DC Resistance Max. ( $\Omega$ )

Temperature rise current: the actual value of DC current when the temperature rise is  $T40^{\circ}\text{C}$   
 Saturation Current that will cause initial inductance to drop approximately 30%

