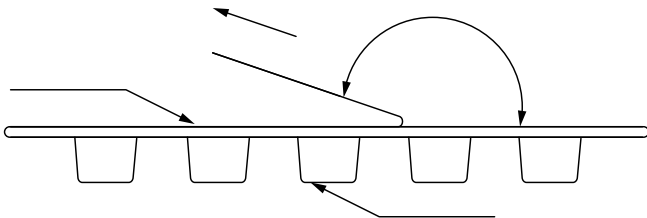


c  
c  
c

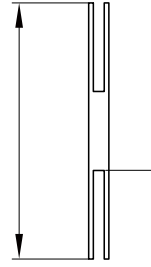
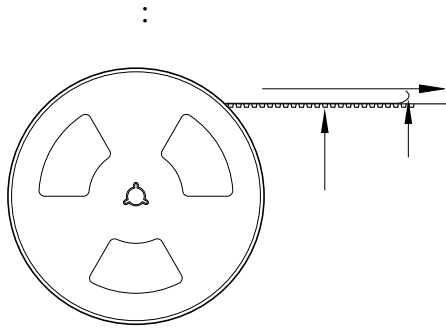
:

SCM9250	6.5 typ	9.7 typ	1.5± 0.1	4.0± 0.1	12.0± 0.1	16.0± 0.3	5.7 ref	1.75± 0.1	0.4± 0.1



The peel force of top cover tape shall be between 0.1 to 1.3 N

Marking	Dot+Printing Duplex winding) /Printing Split winding)
---------	---



1000 Pcs/Reel

2 Reel /Inner box(2000 Pcs)

3 Inner box/Carton box(6K Pcs)

: